

ZKIP SERIES

Fixed Box IP camera

* H.264 * 1 Mega pixel * Full HD

Features:

- * Camera IP intern
- * Super video quality, HD up to 720P
- * Dual H.264 streams
- * Elegant and compact design
- * Audio Input/ output
- * Built-in POE and WIFI (optional)
- * On board storage (SD Card)
- * Function with / with out NVR
- * Motion detection
- * Webserver
- * Phone application



Product Description

ZKIP3 series is ready-to-use megapixel fixed box IP Camera. It comes with elegant and compact design, with complete interfaces like audio input/output, alarm input/output and ethernet port.

It supports 1 megapixel (1280*720) resolution, delivering super H.264 compression image quality up to 25 fps. The camera can capture a wider view than a standard D1 camera, saving costs for requiring more cameras. Dual video streams can be delivered simultaneously in different resolutions, frames rates and image qualities for monitoring on different platforms to meet varied requirements.

ZKIP3 series also can support POE(Optional), WIFI(Optional), SD card on-board storage and two way audio. With embeded IE webserver function, you can visit the front-end camera very conveniently. Besides, the user password access function will ensure high security.

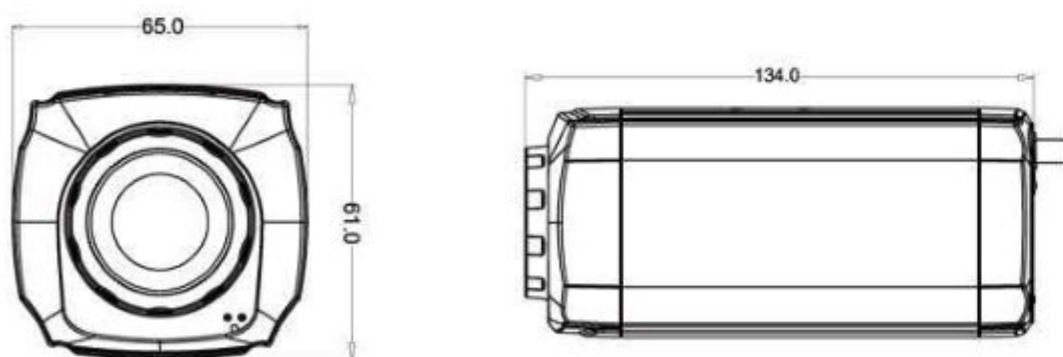
Technical Specifications

Product Model	ZKIP350 / ZKIP370
Product Name	Megapixel Fixed Box IP camera
Camera Performance	
Image Sensor	1/3.2" megapixel progressive CMOS
Image Resolution	1280*720
Minimum Illumination	0.1 LUX
Lens Type	4-9mm varifocal lens
Video	
Video Compression	H.264 main profile level 3
Video Resolution	Main stream: 1280*720
Video Frame Rate	Secondary stream: 320*240 1~25 frame settable
Image settings	Brightness, contrast, saturation, color, up/down, left/right
Audio	
Audio Streaming	Two-way
Audio Compression	G.726/G.711
Audio Input	1 channel line/Mic input
Audio Output	1 channel line output
Network	
Security	Multi-level users access with password protection
Network Interface	10Base-T/100Base-TX Ethernet interface WIFI 802.11b/g/n wireless network (optional) 10Base-T/100Base-TX Ethernet interface WIFI 802.11b/g/n wireless network (optional)

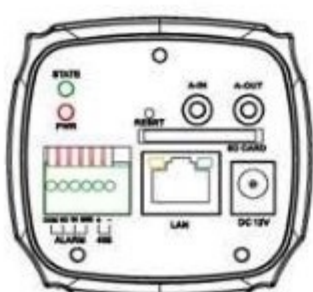
Supported Protocol	TCP/IP, HTTP, UDP, ARP, SMTP, FTP, DHCP, DNS, DDNS, NTP, UPNP, RTSP/RTCP/RTP
On board storage	
Card slot	Supports SD Card, up to 32G
Storage	Snapshots and video clips
Alarm and Event Management	
Alarm Input	1 channel on/off alarm input (NO/NC settable)
Alarm Output	1 channel on/off output External Alarm: 120V AC 1A/24V DC 1A (Max)
Motion Detection	4 independent detection areas settable
RS485 port	YES
Alarm Trigger	Video lost, motion detection, external input
Alarm Events	File upload via FTP, HTTP and email; notification via email, HTTP and TCP; external output activation; video and audio recording to edge storage; pre- and post-alarm video buffering
General	
Casing	Camera: Metal (Aluminum Alloy) Color: Dark grey
Power Supply	12V DC 1.5A POE: 802.3af POE standard (optional)
Power Consumption	8 W max
Working Conditions	-10°C ~ 55°C, 10~95 % RH
Weight	N.W.: 0.45 KGS G.W.: 0.66 KGS
Warranty	12 Months

Product dimension figure

(Remark: all the dimensions are in mm)



Interface figure



Standard accessories



ZKVISION Software(Included in CD)



Power supply



CD