



MT100 Mobile Time & Attendance Reader Portable, Flexible and Durable

MT100 is a fingerprint and RFID card reader specialized for time attendance application. The portable feature and long battery life makes it perfect for off-site time management. While tracking time and attendance (labor costs) accurately, it helps increase efficiencies in managing a mobile workforce on remote sites.

MT100 is standard with ZKTime.Net T&A software, the latest innovations we have for our valued customers. This particular software has more outstanding features which make the users more easy and comfortable to use sophisticated options and features.

MT100 portable time clock is highly demanded in Teacher Student Roster Verification, Construction Sites, Logistic Industries, Large Farms, and the Mining Industry etc.



1.44" LCD



USB Client



Water Resistant



Shock Resistant



1,200 Fingerprints



3,000 Cards



50,000 Logs

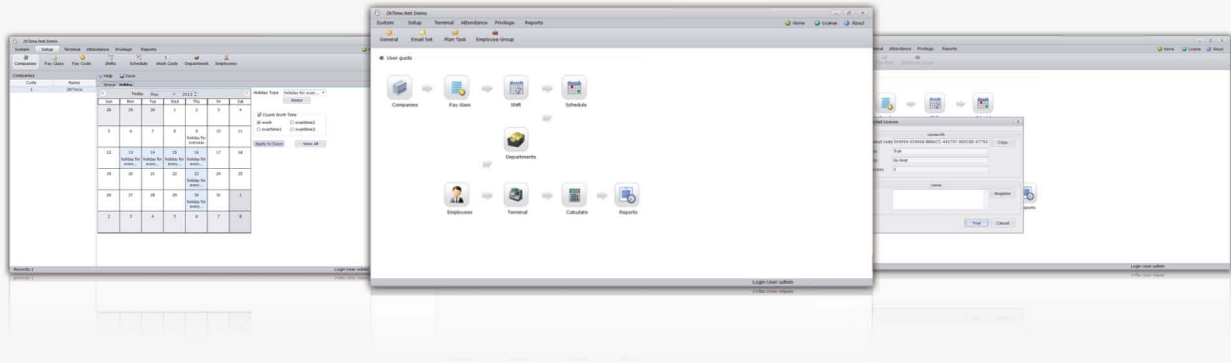


Standby 7 days Battery

Software Features

ZKTime.Net The Simple Software to Help You Clock Your Team!

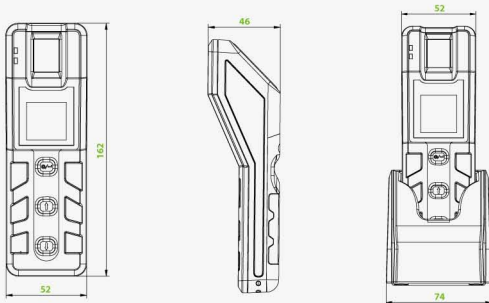
- Employee schedule calendar
- Over night shifts
- Different Pay Code
- Employee document expiry alert
- Work Code Function
- Automatic report email
- Salary interface and Payroll Export function
- Automatic data download
- Multiple Languages
- Works over LAN, WAN GPRS or USB
- Supports Database technologies SQL, Access & Oracle
- Compatible with ZKTeco products: iClock Series, iFace Series



Specifications

Model	MT100
Fingerprint Sensor	Infrared Auto-sleep Optical Sensor
Fingerprint Algorithm	ZKFinger VX10.0
Built-in RF Card Reader	125KHz Proximity Card(Optional 13.56MHz Mifare Card)
Fingerprint Capacity	1,200
Card Capacity	3,000
Log Capacity	50,000
Communication	USB Client
Power Supply	5V, 800mA
Battery	2,000mA Lithium Battery
Operating Temperature	-10°C ~ 40°C
Dimension(L*W*D)	162*52*46mm
Net Weight	0.22Kg
Ingression Protection Rate	IP65

Dimensions (mm)



System Components:

